

Fig 26.3

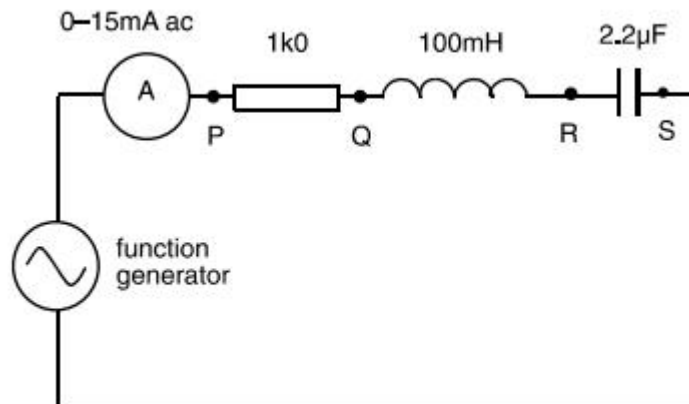


Fig 26.2